

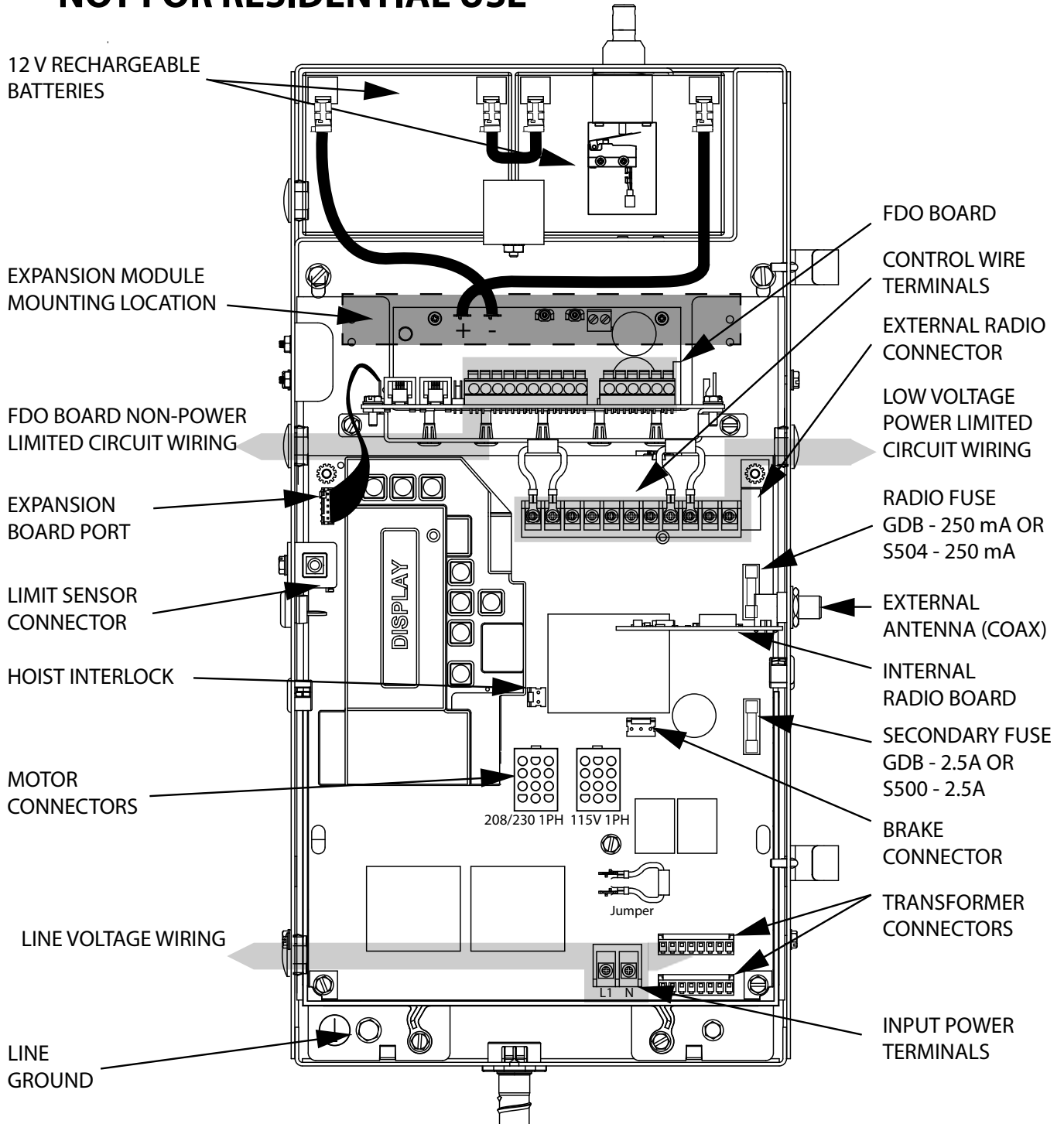
GCL FIRE DOOR OPERATOR

STANDARD-DUTY GEAR HEAD HOIST OPERATOR

WIRING DIAGRAM

SINGLE PHASE WIRING DIAGRAM

NOT FOR RESIDENTIAL USE



WARNING: FOR CONTINUED PROTECTION AGAINST FIRE, REPLACE FUSES ONLY WITH THE SAME TYPE AND RATING



COMMERCIAL LINE

www.GenieCompany.com/commercial | 800.843.4084

© 2016 The Genie Company

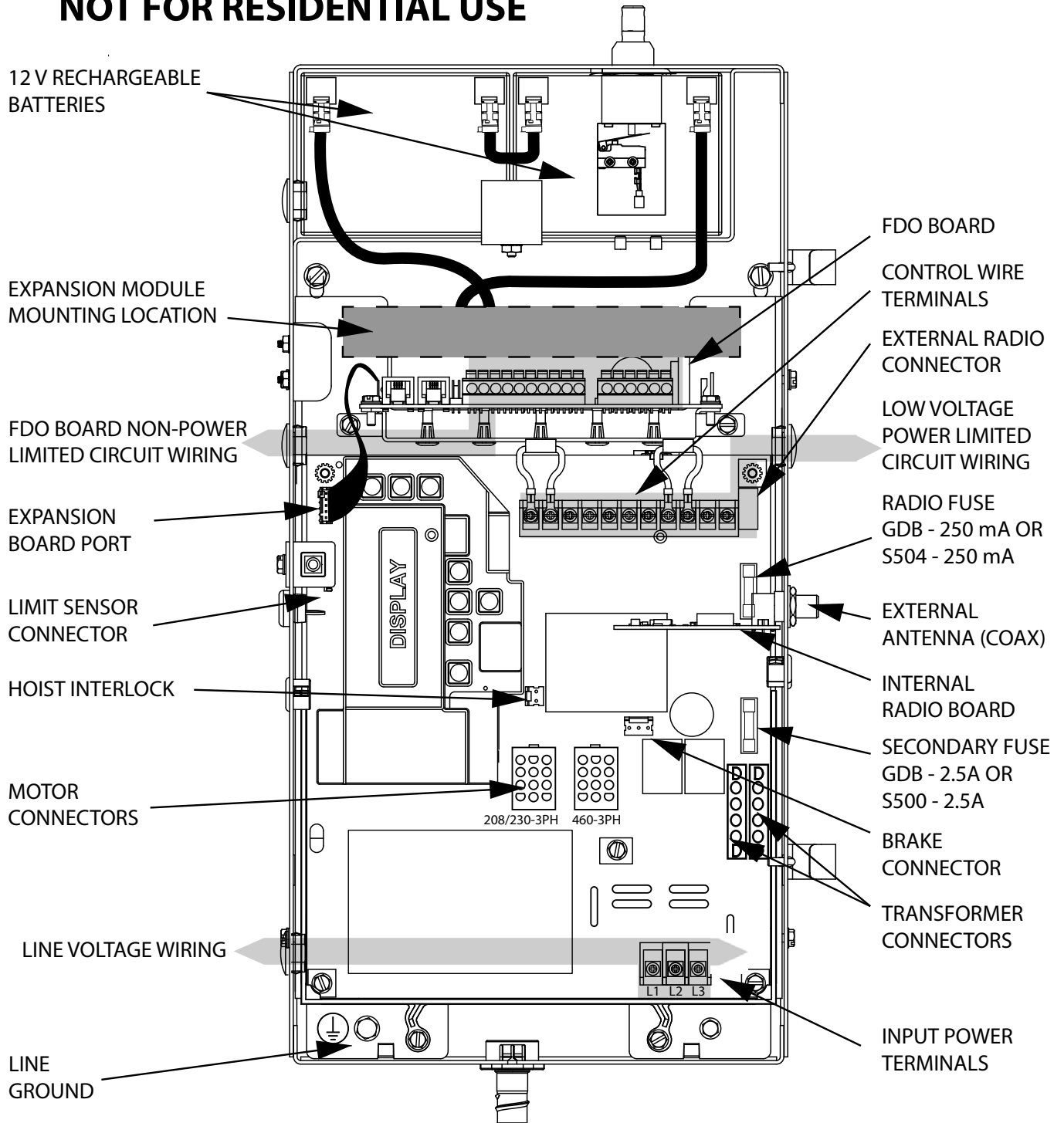
GCL FIRE DOOR OPERATOR

STANDARD-DUTY GEAR HEAD HOIST OPERATOR

WIRING DIAGRAM

THREE PHASE WIRING DIAGRAM

NOT FOR RESIDENTIAL USE



WARNING: FOR CONTINUED PROTECTION AGAINST FIRE, REPLACE FUSES ONLY WITH THE SAME TYPE AND RATING



COMMERCIAL LINE

www.GenieCompany.com/commercial | 800.843.4084

© 2016 The Genie Company

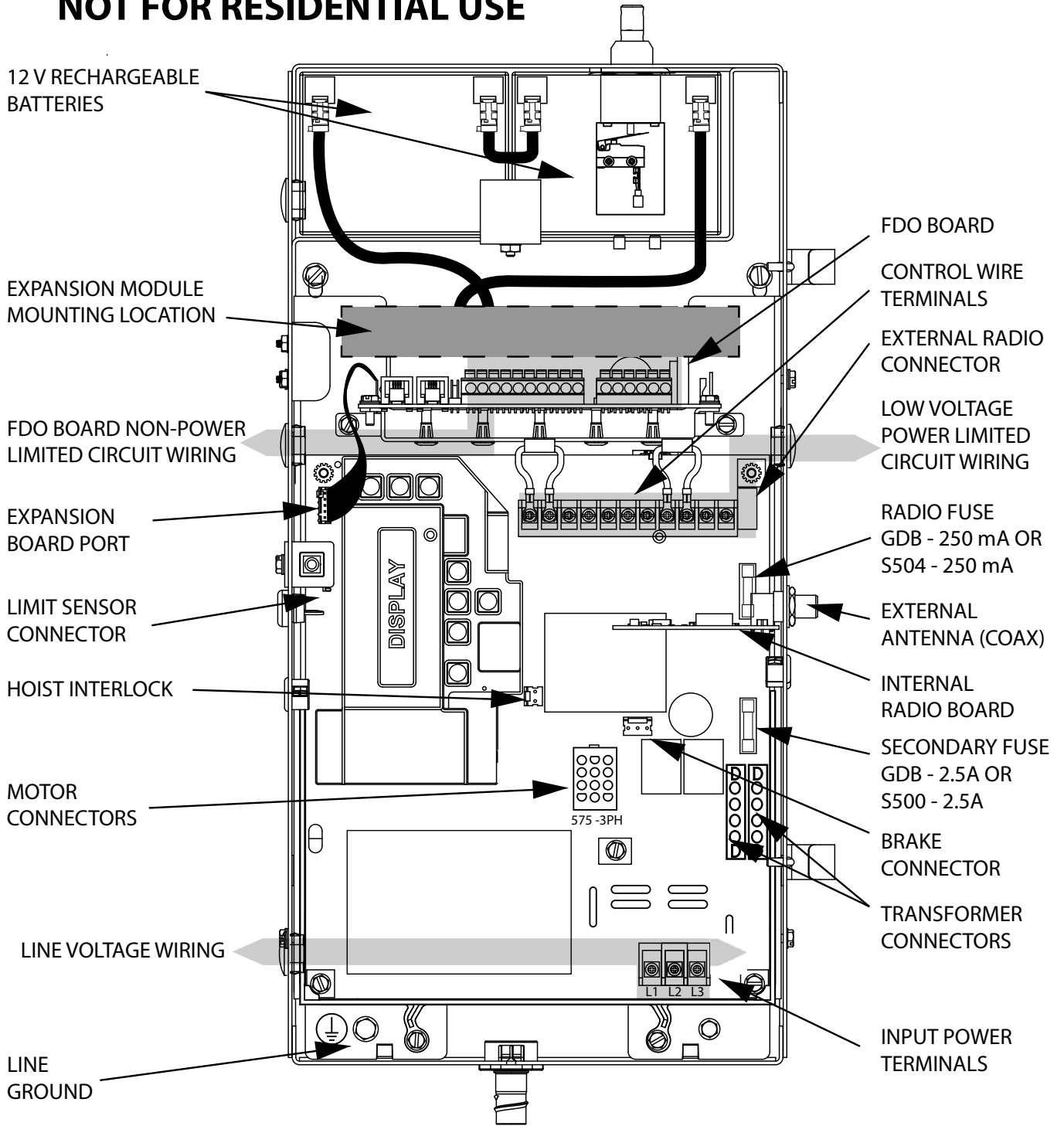
GCL FIRE DOOR OPERATOR

STANDARD-DUTY GEAR HEAD HOIST OPERATOR

WIRING DIAGRAM

575 VOLT THREE PHASE WIRING DIAGRAM

NOT FOR RESIDENTIAL USE



WARNING: FOR CONTINUED PROTECTION AGAINST FIRE, REPLACE FUSES ONLY WITH THE SAME TYPE AND RATING



COMMERCIAL LINE

www.GenieCompany.com/commercial | 800.843.4084

© 2016 The Genie Company

GCL FIRE DOOR OPERATOR

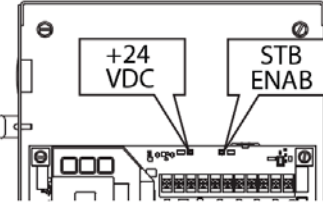
STANDARD-DUTY GEAR HEAD HOIST OPERATOR

WIRING DIAGRAM

EXTERNAL WIRING DIAGRAM

TROUBLESHOOTING LED'S

STB ENABLE	ON = STB ENABLED	OFF = STB DISABLED
+ 24 VOLTS DC	ON = POWER AVAILABLE	OFF = CHECK AC POWER SUPPLY. CHECK FUSES

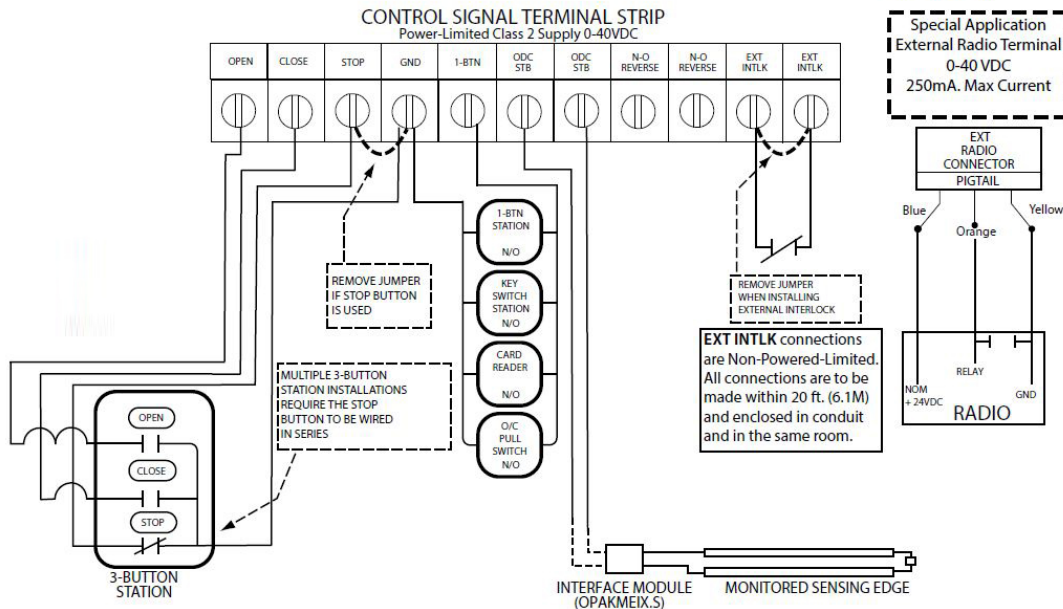


LOW VOLTAGE POWER LIMITED CIRCUIT WIRING

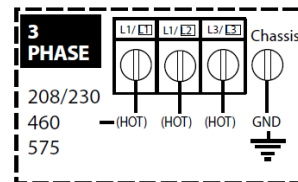
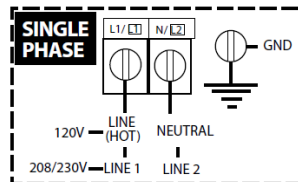
OPEN, CLOSE, STOP and 1-BTN terminals are 40VDC, 20mA MAX. ODC STB Terminals are 40VDC, 150mA MAX. N/O Reverse Terminals are 40VDC, 10mA MAX. EXT INTLK Terminals are 40VDC, 2.5mA MAX.

External Radio connections are Non-Power-Limited. All connections are to be made within 20ft. (6.1M), enclosed in conduit and in the same room.

Special Application External Radio Terminal 0-40 VDC 250mA. Max Current



LINE VOLTAGE POWER WIRING



COMMERCIAL LINE

www.GenieCompany.com/commercial | 800.843.4084

© 2016 The Genie Company

GCL FIRE DOOR OPERATOR

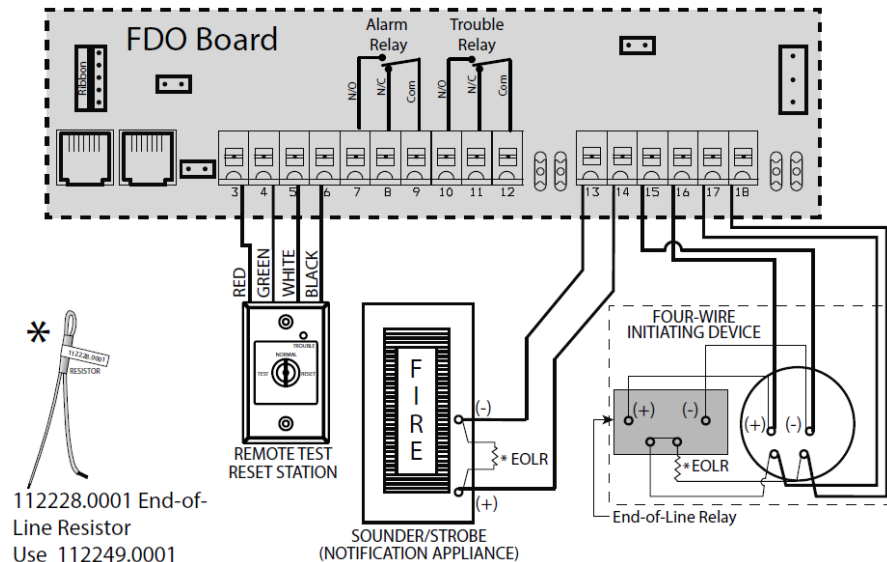
STANDARD-DUTY GEAR HEAD HOIST OPERATOR

WIRING DIAGRAM

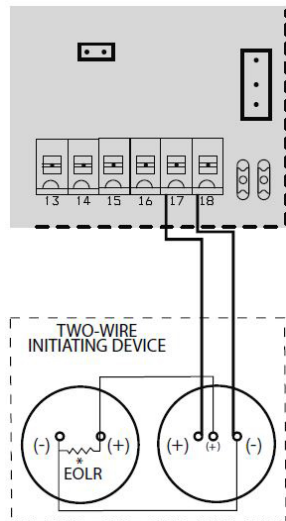
EXTERNAL WIRING DIAGRAM

FDO BOARD NON-POWER LIMITED CIRCUIT WIRING

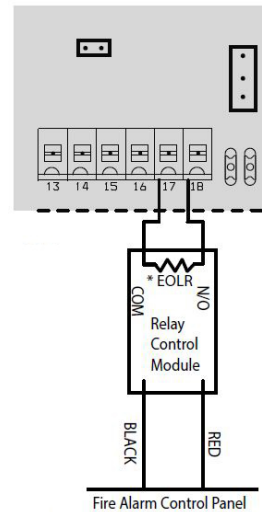
- Terminals 3-6, 75 ohm maximum line impedance.
- Terminals 7-9, 10-12 are form C dry contacts, common relays, 2A @ 28VDC resistive load.
- Terminals 13 and 14, Regulated 24VDC, 160mA MAX, two (2) Class B Style W notification appliances **20 ohm** maximum line impedance. End-of-line resistor required. Place end-of-line resistor at positions 13 and 14 if appliances are not used.
- Terminals 15 and 16 are special application initiating device power.
- Terminals 15-18, two (2) Class B Style A four-wire initiating devices maximum @0.075A / 28.6VDC maximum. End-of-line relay required as above.
- Terminals 17 and 18, four (4) Class B Style A detectors maximum. 28.8VDC @50mA maximum. 35 Ohm maximum line impedance. End-of-line resistor required.
- End-of-line relay 112325.0001.5 shall be installed with four-wire initiating devices. Do not loop wire under terminals for connections.
- All wiring connections are to be made within 20 feet (6.1m), enclosed in conduit and in the same room.
- Replace batteries every two years.



11228.0001 End-of-Line Resistor
Use 112249.0001 End-of-Line resistor with Plate for Canadian installations



-OR-



COMMERCIAL LINE

www.GenieCompany.com/commercial | 800.843.4084

© 2016 The Genie Company