



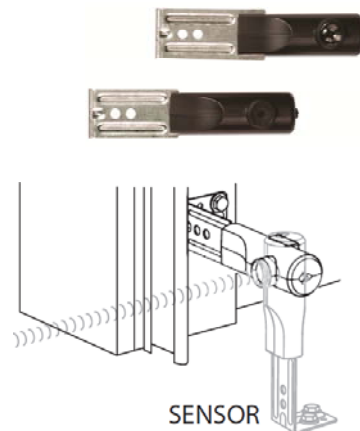
PRODUCT INFORMATION BULLETIN

Date: October 19, 2011
 Number: 3127
 Division: Genie®
 Product Family: Residential Openers
 Product Series: Accessories
 To: All Genie Professional Line Wholesalers, Dealers and Installers
 Re: Safe-T-Beam® System

Genie Safe -T-Beam System - Less Inventory, More Flexibility! *Backwards compatible with all Genie models that have safety sensor capabilities*

Description: Safe-T-Beam System
 Part Number: 37220R

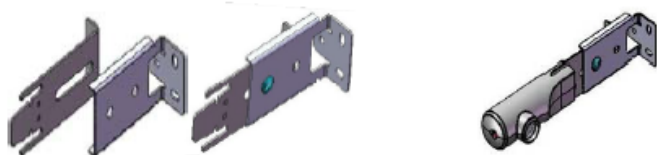
- Durable, robust, deflective design to reduce “catching”
- Improved bracket for durability- permanently attached as one piece
- Improved water resistance
- New height conforms to photocells height requirements – easy mounting!
- Non-polarized wiring connection to terminal block – wiring is a snap!



Go beyond standard applications and use the Safe-T-Beam extension brackets

Description: Safe-T-Beam System Extension Brackets
 Part Number: 37909S.S (2 sets of brackets and extensions)
 37909R.S (6 sets of brackets and extensions)

Safety Beam Extension Kit – 2 pc bracket
(Using Rail Bracket with Included Extension) (Beam & Bracket)

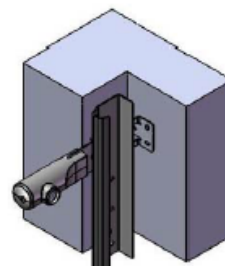


Low headroom track

- Adjustable to extend beyond track
(Shown left)

Tight side room

- Reversible Mount
- Can Mount Bracket behind track
(shown right)



Safety Beam Extension Kit – 1 pc bracket
(Using Rail Bracket Only) (Beam & Bracket)



Low headroom track & Tight side room

- Ability to mount on track
(shown right)
- Reversible Mount
- Foot provides additional support against wall

