

GCL-J EGRESS OPERATOR

STANDARD-DUTY JACKSHAFT



The GCL-J Egress operator is designed for applications where access-controlled egress opening is required for emergency response ingress, or exit. Advanced features and options provide considerable flexibility meeting job specific configuration needs. The GCL-J Egress operator works with emergency egress grilles.

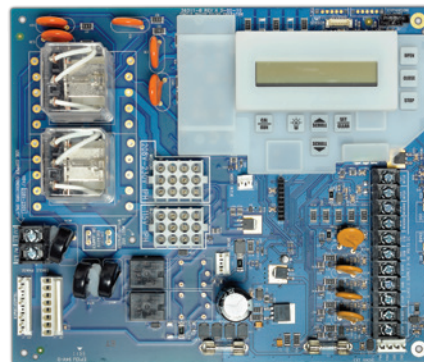
GCL Egress Advantages

- Limits are maintained after emergency egress grille operation. Upon restoration of power and/or reset of the egress activation device, the grille may be motor operated normally.
- Governor limits grille speed during egress operation.
- Release clutch disconnects operator drive train allowing grille travel to fully open position upon receipt of alarm signal, emergency egress push-button operation, or power loss.
- MultiVolt® - Order phase specific operator for the job and have the ability to select the right voltage on the job site.
 - Single Phase: 115/208/230 VAC
 - Three Phase: 208/230/460 VAC
 - Three Phase: 575 VAC
- Modular design with optional expansion boards for advanced timer to close, edge sensing or auxiliary output functionality. One open slot available for an expansion board.
- LCD display with intuitive setup menu provides real-time status and trouble-shooting assistance.
- Internal receiver with the ability to individually add/delete up to 50 Intellicode® transmitters directly from the LCD display.
- EZ Limit® provides for push to set limits that remain synchronized with grille even during long term loss of power.
- TensiBelt® primary drive reduction eliminates need to adjust belt tension.
- Flexible operator mounting operations for front of hood or wall mount applications.
- Open/close/stop and setup keys included on control board. This keeps all controls used for setup conveniently near the LCD display.
- Allows for monitored entrapment protection and momentary operation when used with select edge-sensing devices. See back page for approved list of monitored devices.



Standard Features

- Egress board for control of egress activation.
- Governor controlled grille ascent during egress operation.
- Adjustable timed close.
- EZ Limit® electro-mechanical limits easy to set and maintain.
- MultiVolt® voltage simplification.
- Maximum run timer automatically adjusts to up and down run time.
- TensiBelt® primary reduction.
- Delay on reverse.
- 16-character LCD display.
- UL 325 Listed.
- Advanced radio receiver displays and stores activation by transmitter ID number on the LCD display.
- 3-button control station.
- 2-year/20,000-cycle warranty.



For more information on patents related to this product, visit <https://www.geniecompany.com/patents>.

©2025 THE GENIE COMPANY | GCL-J EGRESS OPERATOR



OFFICIAL GARAGE DOOR
OPENER
of the
Pro Football Hall of Fame



GCL-J EGRESS OPERATOR | STANDARD-DUTY JACKSHAFT

GCL-J EGRESS OPERATOR OPERATOR SELECTION GUIDELINE

Grille Model and Pattern Material		600 G1/G6 Aluminum		600 G7 Aluminum	
Solid Rod		No	Yes	No	Yes
Sensing Edge		No	Yes	No	Yes
½ HP	Maximum	144 Sq. Ft.	81 Sq. Ft.	100 Sq. Ft.	81 Sq. Ft.
1	Maximum	324 Sq. Ft.	196 Sq. Ft.	196 Sq. Ft.	144 Sq. Ft.

G1 = Brick Pattern w/Links on 9" Centers
 G6 = Straight Pattern w/Links on 9" Centers
 G7 = Straight Pattern w/Links on 2" Centers

Construction

- **Motor**
AC continuous-duty motor. Motor replaceable without changing limits. Thermally protected.
- **Drive**
Primary — TensiBelt® auto tensioning poly-V J belt.
Secondary — chain and sprocket reduction.
- **Brake**
24 VDC disc brake standard.
- **Friction Clutch**
Adjustable clutch to help protect against door and operator damage.
- **Precision Radial Ball Bearings**
Included in critical areas throughout the powertrain.
- **Pre-wired to accept:**
 - Monitored entrapment device such as photoeyes.
 - Single or 3-button control stations.
 - External interlock switches.

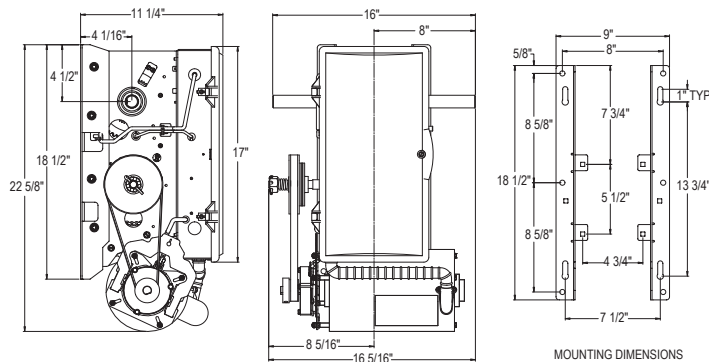
Accessories and Options

- **Timer Close Module (TCM)**
Timed close set via the LCD display from 2 seconds up to 5 minutes. Includes pre-close warning contacts, timer hold input, auxiliary open input, normally closed safety input, and monitored edge input.
- **Auxiliary Output Module (AOM)**
Provides relay contacts at the open, close, and mid-stop limits. Contacts for 5-minute lamp, and "ADA" contacts set via LCD display to warn during opening, closing or both.
- **Intellicode® Transmitters**
Available in single up to four button, or open/close/stop models.
- **UL 325 Approved Reversing Devices**
The installation of a monitored external entrapment device is required for momentary contact close operation on all commercial door operators. The following devices, when purchased through Genie, are UL Approved for use to meet this requirement:
 - Safe-T-Beam® Photoeye Kit with adjustable bracket (P/N 38176R.S).¹
 - Impact-protected Commercial Photoeye Kit (P/N OPAKPE2.S).
 - MillerEdge ME/MT/CPT (DC or T3) 2-wire edge sensor. Must be used with TCM (OPABTCGX.S), ESM (OPABESX.S), or Interface Module (OPAKMEIGX.S).
 - NEMA 4X Photocells (P/N: OPAKPEN4GX.S).
 - Retro-reflective NEMA 4X Photoeye Kit (P/N: OPGAKRPEN4X.S).
 - Monitored Light Curtains
 - 3 ft. length (P/N: OPAKMLC3.S).
 - 6ft. length (P/N: OPAKMLC6.S).
 - Light curtain mounting brackets (6 total) (P/N:112809.0001.S).

¹— Default device when operator is ordered.

- **Commercial Wi-Fi Module - Aladdin Connect®**
This optional module plugs directly into the control board expansion port providing the operator with the ability to remotely monitor and control your commercial sectional garage door, with your smart device, from almost anywhere at any time while tracking the operation of your door (P/N: OPAKCDCM.S).

AMPERAGE RATING - 60Hz							
HP	115V 1PH	208V 1PH	230V 1PH	208V 3PH	230V 3PH	460V 3PH	575V 3PH
1/2	10	5	5	3	3	3	2
1	14	7	7	4	4	3	2



The Genie Company, One Door Drive, Mt. Hope, Ohio 44660

www.geniecompany.com/commercial | 1.800.843.4084

Item G001.0272 Rev. 12/24

YOUR GENIE PROFESSIONAL DEALER:

© 2025 The Genie Company. Genie, Safe-T-Beam, Intellicode and the Genie logo, are registered trademarks of GMI Holdings, Inc., d/b/a The Genie Company. Consistent with our policy of continuing product improvement, we reserve the right to change product specifications without notice or obligation.